

April 14, 2021

Sub: Circular letter No: 009

Page 1 of 1

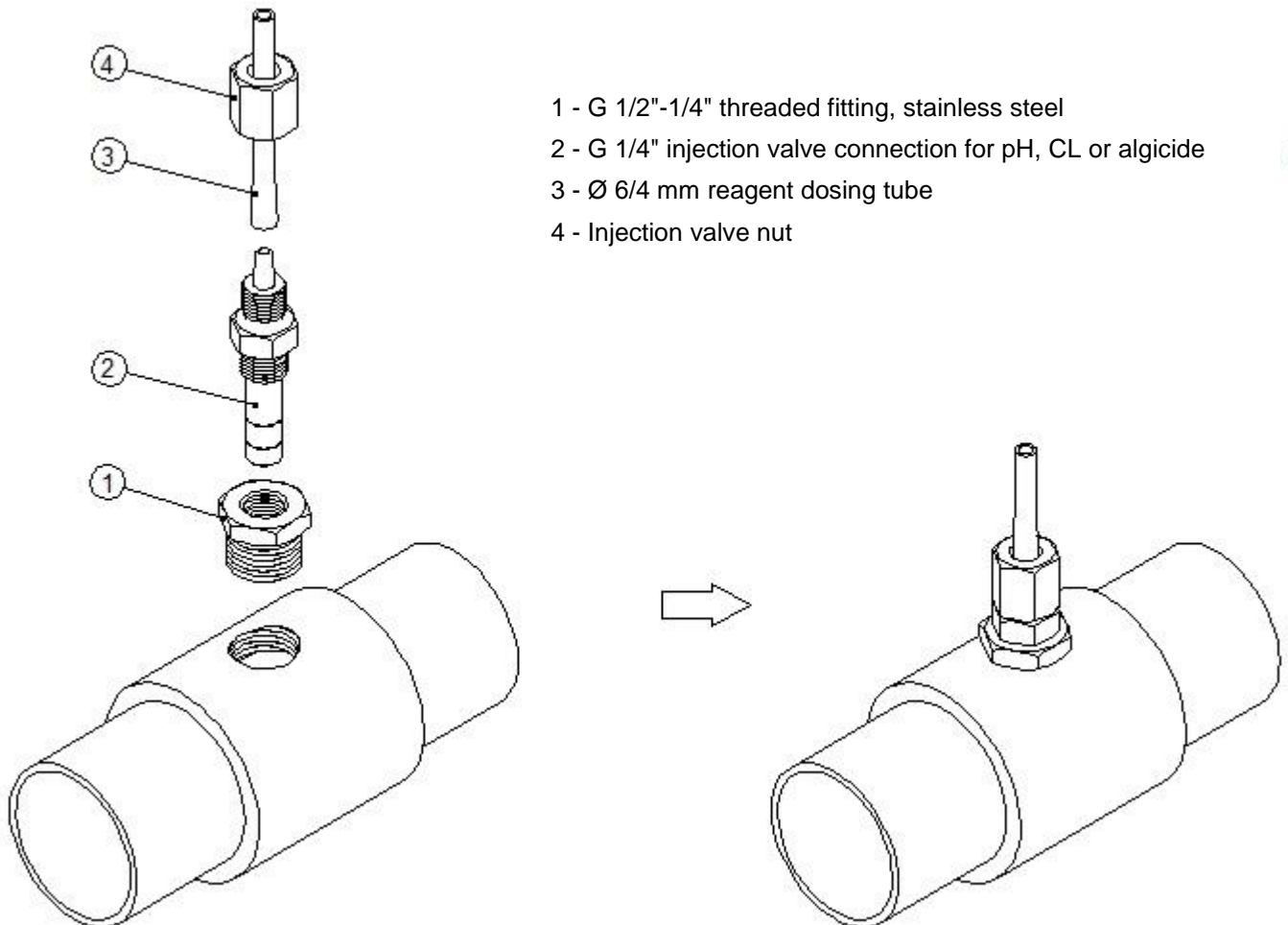
Dear Partners!

From April 19, 2021, a new part has been added to the standard equipment of all CRYSTAL stations and the Algicide Dosing Unit: AISI-304 stainless steel Threaded Fitting, 1/4" internal thread, 1/2" external thread, item 64-08-000-00.

Retail price of G 1/4" x 1/2" threaded fitting is 745 rubles. **The price of the CRYSTAL stations and the Algicide Dosing Unit will not increase.**

The purpose of the G 1/4" x 1/2" threaded fitting is to prevent the G 1/4" thread from breaking in the pipeline during periodic cleaning of the reagent injection valves from accumulated deposits.

Installation procedure: first, the threaded fitting is installed in the pipeline, and then the injection valve is installed in it. The CL (sodium hypochlorite) injection valve requires particularly frequent cleaning. Thus, the common injection valve assembly becomes more reliable with multiple mounting/dismounting of the injection valves during pool operation.



Yours sincerely, DARIN